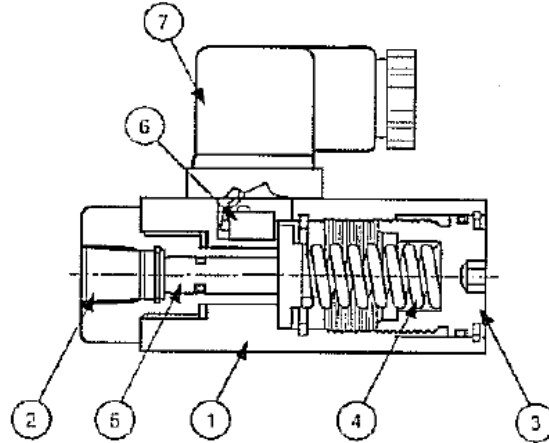


## AG EXPRESS ELECTRONICS

---

Our AE6615K hydraulic pressure switch can be used as a replacement for a variety of implement status switches. It has a female 1/4" NPT hydraulic hookup and a 2 Pin WP shroud electrical connection. The switch can be adjusted to activate at different pressures if desired and it can be wired to operate in a normally closed or normally open configuration.



1. Body- (Iron)
2. Connection Port 1/4"
3. Pressure Adj. Screw
4. Spring
5. Piston
6. Micro Switch

The hydraulic switch will come with a 2 pin WP shroud tied to the end of the cable. You will see 3 different WP pins: red, green and black. You will populate the connector with the black and either the red or the green wire, depending on your situation. The red is for normally opened. The green is for normally closed. The black is common.

The pressure range on these is 500-3600 psi. We don't recommend trying to operate this switch outside of these parameters.

If you have any additional questions, please feel free to give us a call at any of our locations and we would be more than happy to assist you. We really appreciate your business!