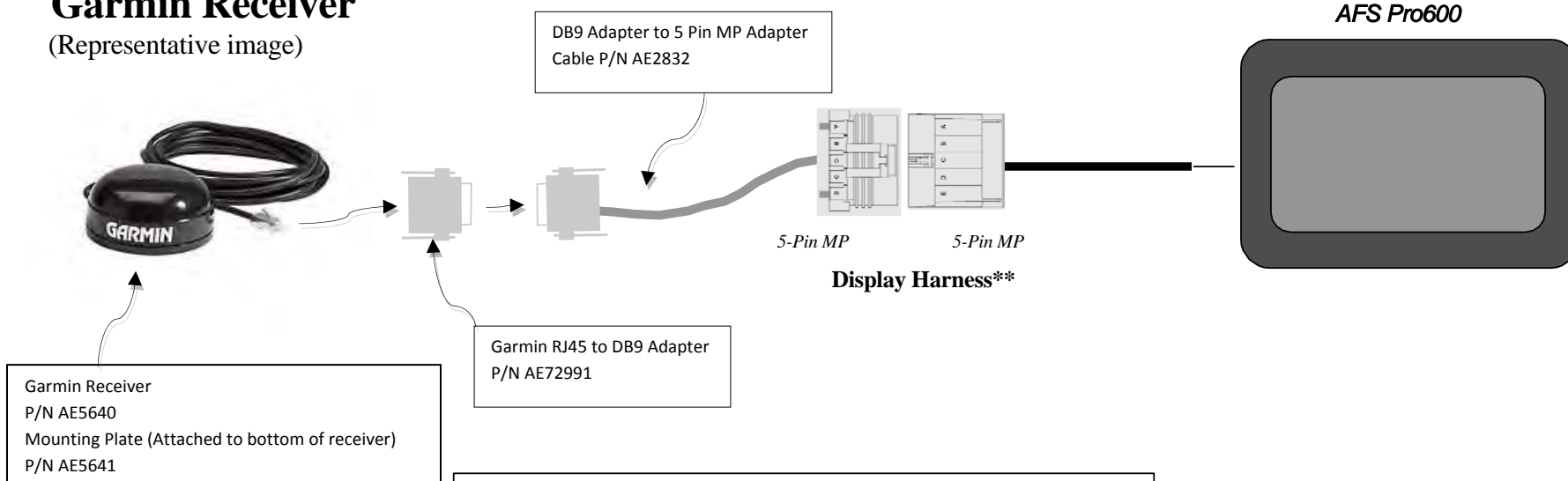


Connecting an Garmin Receiver to an AFS Yield Monitor

-- 2500 Series Combine --

Garmin Receiver

(Representative image)



Garmin Receiver Configuration Settings: (Preprogrammed)

8N1 NMEA
4800 Baud Rate
Output Rate: 1 Hz
Required NMEA strings: GGA and VTG

Pro 600 Display Settings:

Power up the display and go to MAIN>TOOLBOX>GPS

Set the GPS Connection type to 'RS232A'

If the receiver doesn't communicate immediately, cycle the power to the display and receiver.

View the GPS Status at MAIN>DIAGNOSTICS>GPS

** The 5-pin GPS connector is located in the right hand console.