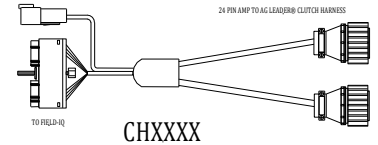


→ Does your customer already have Clutches and Control Harnesses installed?

Make an existing system compatible with an Implement Section Controller by utilizing one of these adapters. **If you don't see what you need here, give Ag Express a call and we will design a custom solution for you** (please see note below before ordering).

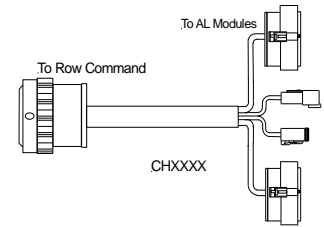
Trimble® and Case New Holland®

Description	Part Number	List Price
Field-IQ™ to Ag Leader® Clutch Harness 12 Rows	CH2050	270.00
Field-IQ™ to Ag Leader® Clutch Harness 16 Rows	CH2051	320.00
Field-IQ™ to Ag Leader® Clutch Harness 24 Rows	CH2052	375.00
Field-IQ™ to John Deere® RowCommand™ Harness 35 pin Deutsch	CALL	225.00-360.00
Field-IQ™ to John Deere® RowCommand™ Harness 47 pin Deutsch	CALL	225.00-360.00
EZ-Boom® Adapter to Existing Harness	CALL	CALL



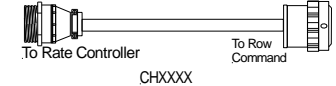
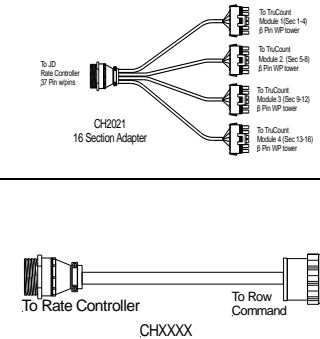
Ag Leader®

Description	Part Number	List Price
Ag Leader® Module Adapter to John Deere® RowCommand™ 12/23	CH2075	225.00
Ag Leader® Module Adapter to John Deere® RowCommand™ 12/24	CH2076	225.00
Ag Leader® Module Adapter to John Deere® RowCommand™ 16/31	CH2078	360.00



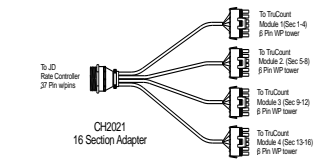
John Deere® Rate Controller (JDRC)

Description	Part Number	List Price
JDRC to TruCount™ Air Module 8 Section	CH2020	135.00
JDRC to TruCount™ Air Module 16 Section	CH2021	165.00
JDRC to Ag Leader® Clutch Harness 12 Rows	CH2001	250.00
JDRC to Ag Leader® Clutch Harness 16 Rows	CH2002	295.00
JDRC to Ag Leader® Clutch Harness 24 Rows	CH2003	350.00
JDRC to AA56670 Cable for 3 Drive Disconnect	AE3184	140.00
JDRC to AA58927 Cable 'Y' for 2 Drive Disconnect	AE3185	195.00



John Deere® Rate Controller 2000 (RC2000)

Description	Part Number	List Price
RC2000 to TruCount™ Air Module 8 Section	CH2030	185.00
RC2000 to TruCount™ Air Module 16 Section	CH2031	215.00
RC2000 to Ag Leader® Clutch Harness 12 Row	CH2032	300.00
RC2000 to Ag Leader® Clutch Harness 16 Row	CH2033	345.00
RC2000 to Ag Leader® Clutch Harness 24 Row	CH2034	400.00



Note: When ordering these adapters, please specify Controller Make and Model, Type and Manufacturer of Row Clutches, Number of Sections, and where the Controller will be mounted.