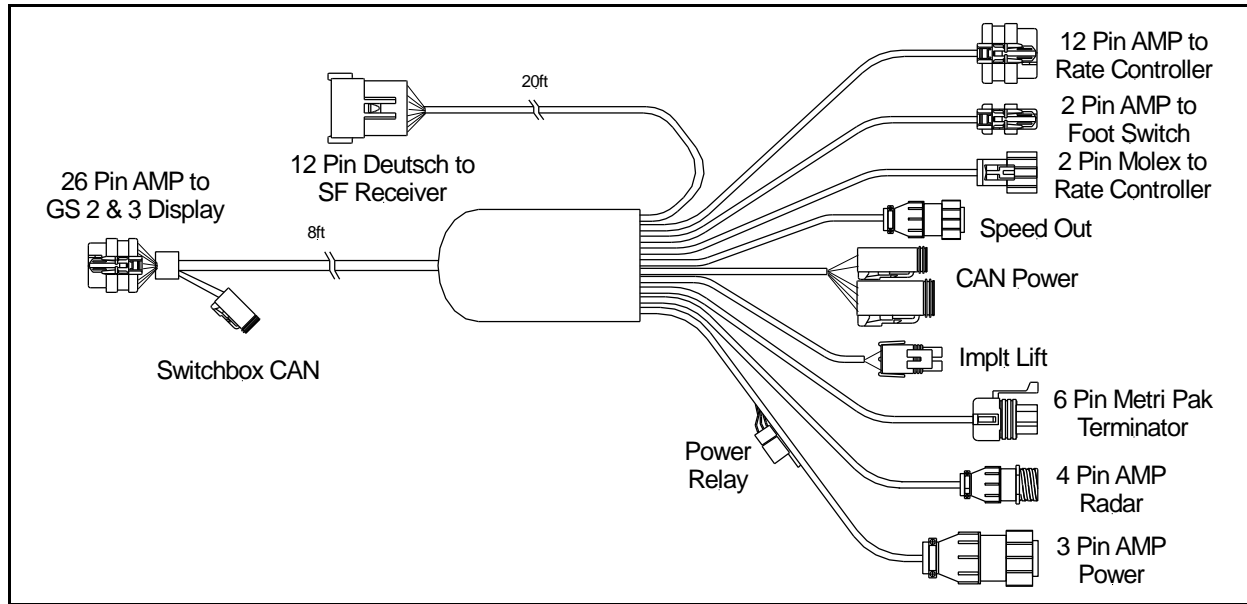


Rate Controller Full Cab Harness to GreenStar®2/3

Overview:

The AE3099 harness is used in conjunction with a customer supplied GreenStar® 2 or 3 Display and John Deere® Liquid or Dry Rate Controller. This is a **Complete Cab Harness** which enables you to install either rate controller harness directly to your display without any additional harnessing. This cable is ideally suited for use in self-propelled sprayers or spreader trucks where no GreenStar® harnessing is present.



- *Use this custom harness to add your rate controller and display to any existing vehicle that does not have a display harness.*
- *Connection is available for easy ATU™ hookup with AE30991 cable.*

Description	Part Number	List Price
Rate Controller Full Cab Harness w/ Terminator	AE3099	765.00
ATU™ Adapter Cable 10'	AE30991	135.00

