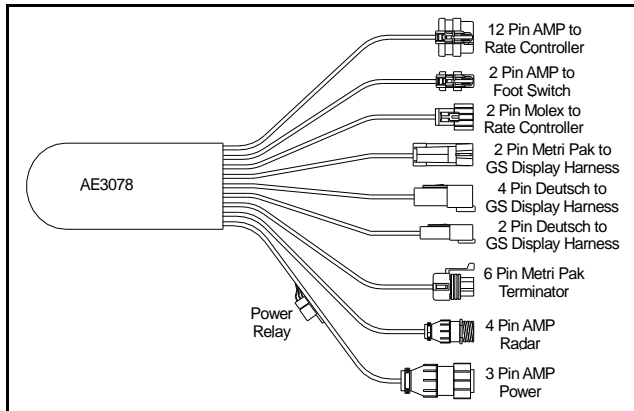


Rate Controller ISO Bypass Kit

Overview:

The ISO Bypass Cable is used in conjunction with a customer supplied GreenStar® 2/3 Display and John Deere® Liquid or Dry Rate Controller. This enables you to install the rate controller harness (PF81113) directly to the customer’s existing display harness (PF80802 or RE158190).

By using the Ag Express® ISO Bypass Kit (pictured), you can eliminate the following 3 harnesses:
 #1 The ISO implement harness (RE174725) - #2 the ISO front extension harness (PF81130 or PF81131) - #3 the foot switch power cable (PF81073).



- **This custom 18" harness allows you to hook the rate controller harness DIRECTLY to the display harness or **9 pin AMP ISO connection in "R Series" tractor cabs.****
- **Eliminates 3 OEM harnesses to save space & expense.**

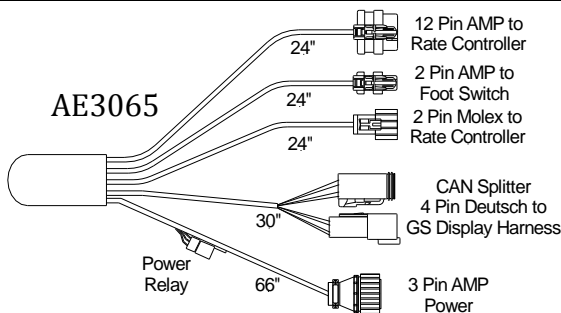
Description	Part Number	List Price
John Deere® Rate Controller ISO Bypass Kit	AE3078	450.00

Rate Controller Harness for Back Panel Installation

Overview:

The AE3065 harness allows the Rate Controller to be installed behind the cab or under the rear cab panel, and provides an all-in-one cabling solution.

Description	Part Number	List Price
Rate Controller Back Panel Installation Harness	AE3065	395.00
10' CAN Splitter Extension for 4WD Tractor	AE3065SPLIT	85.00



- Allows for a clean & hidden installation of the Rate Controller and provides a connection for the foot switch.
- CAN Splitter connector Y's into the back side of the IBBC ISO Connector.
- Power connection supplies the Rate Controller and all connected components.