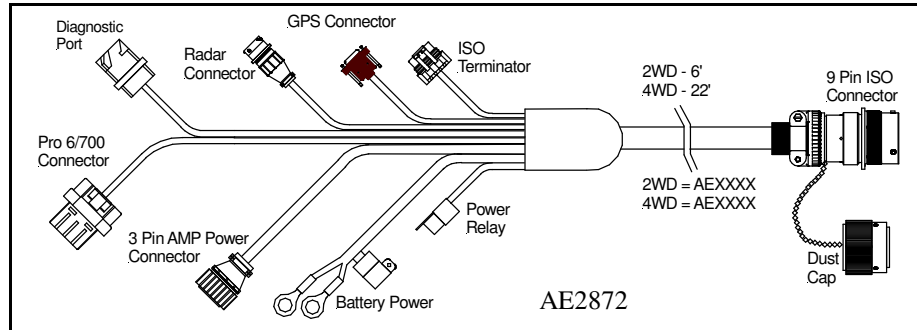


## AFS®Pro 600/Pro 700 and IntelliView™ ISO Cab Harness

### Overview:

- Allows you to use your CIH™ implement and AFS®Pro 600/Pro 700 on any tractor.
- This harness will work on any make or model of tractor that does **not** have an ISO connection.
- Includes the stainless steel SMV mounting bracket (as shown on page 54) and dust cap for the ISO implement connector.
- CAN Bus compatible for use with AFS®/Trimble® receivers with the addition of AE2872RX harness.
- Terminator is included with the harness.

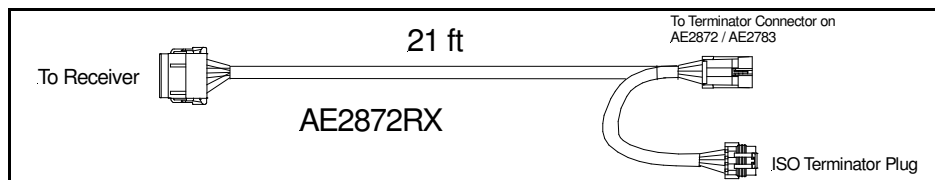


Description	Part Number	List Price
2WD ISO Harness for Non ISO tractors AFS® Pro 600/Pro 700&IntelliView™	AE2872	605.00
4WD ISO Harness for Non ISO tractors AFS® Pro 600/Pro 700&IntelliView™	AE2873	673.35

## AFS®Pro 600/Pro 700 and IntelliView™ ISO Cab Harness CAN Receiver Adapter

### Overview:

- Allows the addition of an AFS®/Trimble® receiver to the CAN Bus through the CAN terminator connector.

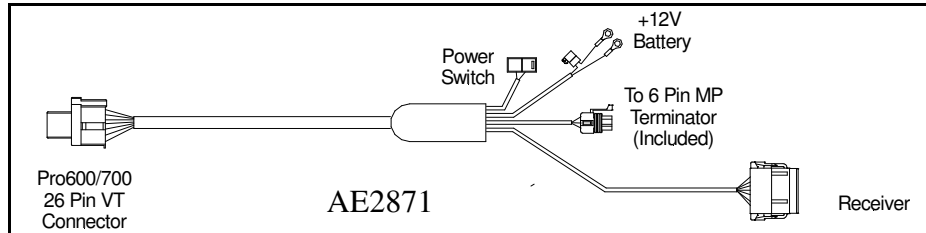


Description	Part Number	List Price
CAN Bus Adapter for AFS® and Trimble® Receiver	AE2872RX	85.00
RS232 Adapter for AFS® and Trimble® Receiver (5 pin Metri-Pak)	AE2872RS232	85.00

## AFS® Pro 600/Pro 700 and IntelliView™ Universal Mapping Harness

### Overview:

- Allows you to do mapping with an ATV, UTV, Pickup, or any vehicle.
- Wired to connect to AFS®/Trimble® receivers with a 12 pin DTM Deutsch connector. **Built in CAN Bus compatibility for RTX applications.**
- Adapters are available for 3<sup>rd</sup> party receivers via RS232 communication. Call for details.

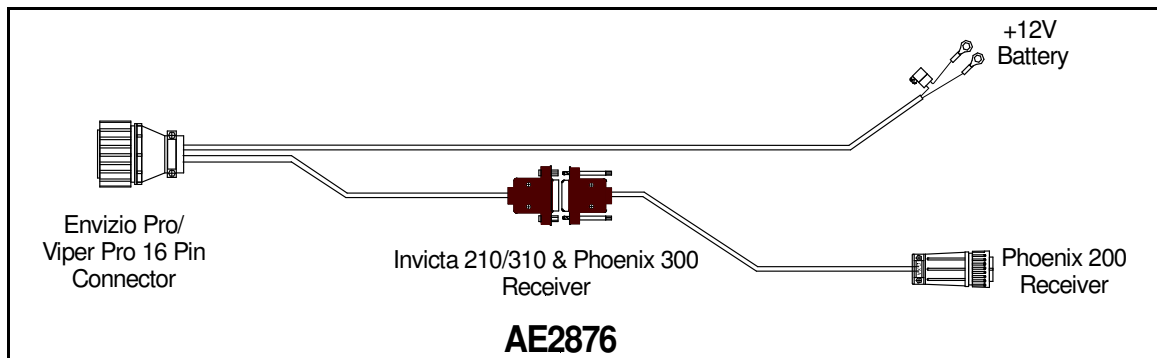


Description	Part Number	List Price
AFS®Pro 600/Pro 700 and IntelliView™ Mapping Harness	AE2871	220.00

## Envizio Pro™/Viper Pro™ Universal Mapping Harness

### Overview:

- Allows you to do mapping with an ATV, UTV, Pickup, or any vehicle.
- Wired to connect to Raven™ Invicta™ 210/310/Phoenix 300™ receivers from the Raven™ standard RS232 port, & Phoenix 200™ receivers with a built in adapter to the plastic 8 pin connector.
- Adapters are available for 3<sup>rd</sup> party receivers via RS232 communication. Call for details.



Description	Part Number	List Price
Envizio Pro™/Viper Pro™ Universal Mapping Harness	AE2876	155.00