

AG EXPRESS[™] ELECTRONICS

» NEW for
2012!

Hello Dealers! Inside you will find information on the following items for Precision Agriculture:

- | | |
|--|--|
| <ul style="list-style-type: none"> • Pg 2 - Repair for GreenStar® components • Pg 3 - Universal Mobile Mapping Harnesses • Pg 4 - Camera Cables 2630 & CommandCenter™ • Pg 5 - ISO Tractor Harness for non GreenStar® ready tractors (any brand) • Pg 6 - Convert older planter monitor systems to operate with GS2 & GS3 • Pg 7 - Dry Spreader Control for GS2 & GS3 • Pg 8 - Strip Till for GS2 & GS3 • Pg 9 - Cab Harness for Rate Controller • Pg 10 - ISO Bypass Kit for Rate Controller • Pg 11 - Rate Controller Harness & ISO Y cables • Pg 12 - Rate Controller 3rd Party Adapters | <ul style="list-style-type: none"> • Pg 13 - Rate Controller Liquid & NH3 Harness • Pg 14 - Hagie™ Rate Controller kits • Pg 15 - Rate Controller Dry Harnesses • Pg 16 - Clutch Harnesses & Adapters for Planter Swath Control • Pg 17 - Liquid/NH3 Valves for Rate Controller • Pg 18 - Hiniker™ NH3 Conversion Parts for Rate Controller • Pg 19 - Rate Controller Relay Control Module • Pg 20 - RS232 & Speed Output Cables • Pg 21 - StarFire® RTK Tower Extension Cables • Pg 22 - Tractor Radar cables & adapters • Pg 23 - Power Remote & Garmin® Receiver Kits |
|--|--|

 **Would you like to view this brochure online?** www.agexpress.com/2012gsbroch.php



Ag Express is always searching for ways to help your dealership remain as competitive as possible. If there is something you need to help support your customers, please let us know; maybe we can work together to come up with a solution.

Ag Express Electronics
106 West Main
Sulphur Springs, IN 47388
(765) 533-4809
ss@agexpress.com

Ag Express Electronics
308 Claude Rd.
Grand Island, NE 68803
(308) 381-2905
gi@agexpress.com

Ag Express Electronics
6280 NE 14th Street
Des Moines, IA 50313
(515) 289-2746
dsm@agexpress.com

www.agexpress.com

Repair Services for GreenStar® Units



GreenStar® 2600 Display

Description	List Price
Audio Alarm Repair	150.00
Connector Replacement (on back of unit)	225.00
Card Reader Repair	380.00
Touch Screen Replacement	695.00

GreenStar® 2630 Display

2630 Displays are in warranty at this time. If you have a question or an issue that you would like to discuss, please contact your nearest Ag Express location.

Original GreenStar® Display **Note ⇒ Originals are repaired at our Sulphur Springs location only**

Description	List Price
Audio Alarm Repair	160.00
Keypad Repair	160.00
Back Light Repair	160.00
LCD Vertical Line Repair	160.00

Receivers **Note ⇒ Receivers are repaired at our Sulphur Springs location only**

Description	List Price
StarFire® Generation 2 Receiver Repair	500.00
StarFire® iTC® Receiver Repair	500.00
StarFire® 3000 Receiver Repair	500.00

RTK Radios **Note ⇒ RTK Radios are repaired at our Sulphur Springs location only**

Description	List Price
900 MHz Radio Repair	250.00
450 MHz Radio Repair	Call

Notes:

Note 1: We repair the unit you send us. For you, this means no hassle to change Software, Activations or Subscriptions.

Note 2: Our normal repair turnaround time is 24 to 48 hours from receiving the unit.

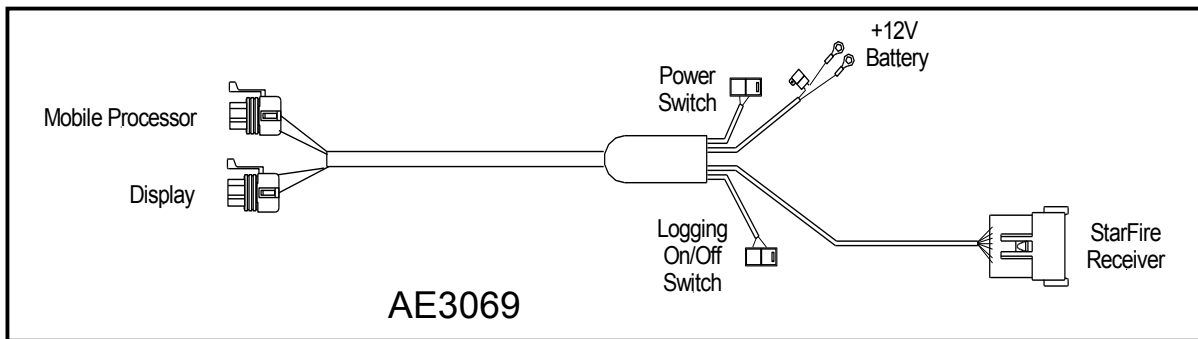
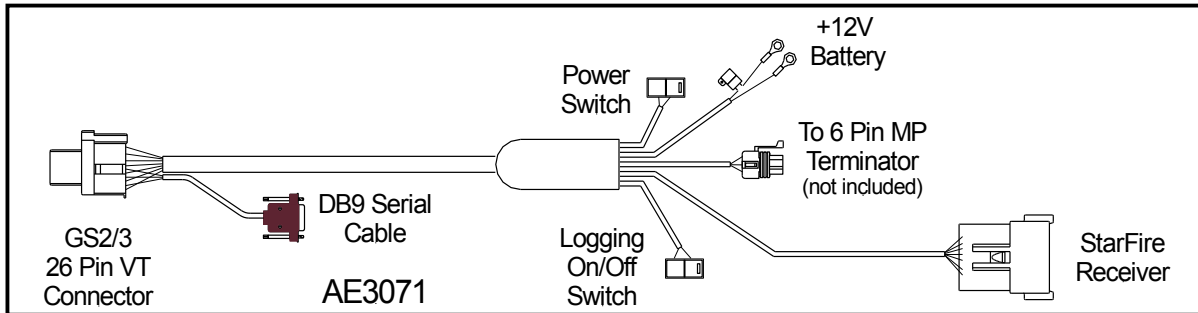
Note 3: Original displays, StarFire® Receivers, and RTK radios are repaired at our Sulphur Springs, IN location only.

Universal Mobile Mapping Harnesses for GreenStar® Displays

Overview:

This is a low cost universal harness designed for mapping field perimeters.

- Allows you to do mapping with an ATV, Gator®, Pickup, or any vehicle.
- AE3071 harness will work with the GreenStar® 2/3 displays.
- AE3071 hooks to any John Deere® Receiver, or you have the option of hooking to a 3rd party receiver via an included Serial Port.
- AE3069 harness allows the use of the original GreenStar® display and mobile processor.



Description	Part Number	List Price
GreenStar® 2/3 Mobile Mapping Harness - See Note 1	AE3071	170.00
Original GreenStar® Mapping Harness - See Note 2	AE3069	170.00
Terminator (Optional - see Note 1)	AE2327	50.00

Note 1... Using a StarFire® receiver requires a terminator which is not included with the AE3071 cable.

Note 2... A terminator is not required with the AE3069 harness. It is built into the cable.



GreenStar® 2630 Display Camera Cables

↓ (CommandCenter™ Cables, Bottom of page) ↓



Overview:

These cables allow either CabCAM™ or AgCam® cameras to be utilized with a 2630 display.

- Designed for easy installation and minimum cab clutter.
- Cables connect to the John Deere® terminal strip to power up to three cameras.
- Installation in combine cabs is kept clean with cables made specifically for the display and power strip being far away from one another.
- Cables are constructed to be very robust and use heavy gauge wire.

Description	Part Number	List Price
CabCAM™ Adapter Cable for Tractors	AE5697	115.00
CabCAM™ Adapter Cable for Combines	AE5697C	115.00
AgCam® Adapter Cable for Tractors	AE5698	135.00
AgCam® Adapter Cable for Combines	AE5698C	135.00

<p>Tractor</p> <p>AE5697 & AE5698</p>	<p>Combine</p> <p>AE5697C & AE5698C</p>
--	--



CabCAM™ Connector



AgCam® Connector

⇒ R Series Tractor Touch Screen CommandCenter™ Camera Cables ⇐

Overview:

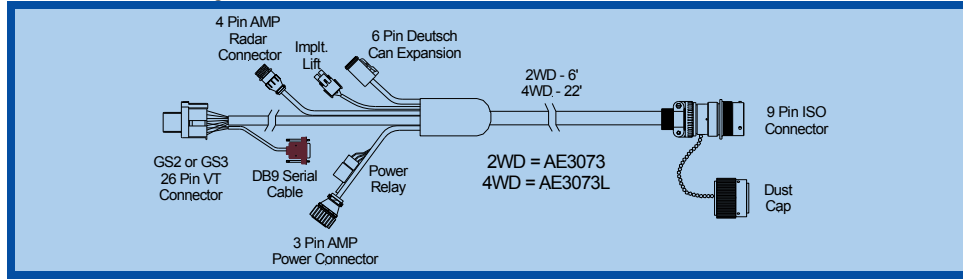
These **R Series** adapters provide a quick and easy solution to use AgCam® or CabCAM™ cameras with the Touch Screen CommandCenter™ armrest display.

Description	Part Number	List Price
R Series CommandCenter™ to CabCAM™	AE5670	45.00
R Series CommandCenter™ to AgCam®	AE5672	45.00

<p>R Series</p> <p>AE5670 & AE5672</p>

Note: If you need a complete camera system or part of a system, let us know. Ag Express can supply whatever you need. Voyager™ and RV Cam adapters are also available.

Do you have non-ISO compatible Tractors? Ag Express has a simple solution to convert them to ISO..... any Make - Model - Color



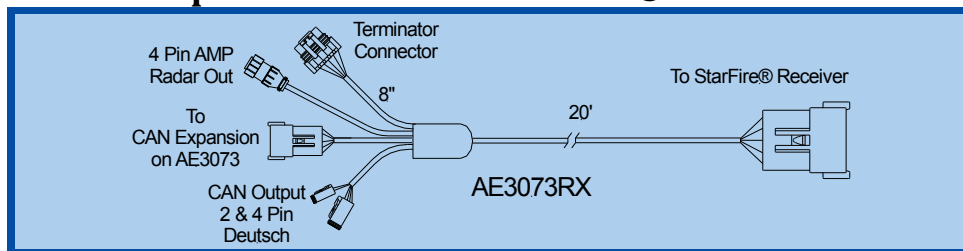
Overview:

These Harnesses are compatible with the GS2 & GS3 Display and will allow you to connect to an ISO compatible implement harness with minimal connections or hassle. As an example – you could connect to an ISO compatible planter for seed monitoring.

- They will work on any Make or Model of Tractor that does not have an ISO Connection.
- The harness has a Serial Port that will allow hooking to a 3rd party GPS Receiver (Trimble®, Raven™, etc) for mapping functions.

Description	Part Number	List Price
2WD ISO Harness for Non ISO ready tractors GS2/3	AE3073	450.00
4WD ISO Harness for Non ISO ready tractors GS2/3	AE3073L	510.00

Expansion cable for StarFire® Receiver



Overview:

The AE3073RX harness is used in conjunction with the AE3073 or AE3073L ISO Cab Harness at the top of this page. It allows a StarFire® receiver to be hooked to the GS2 or GS3 Display. It also outputs the connections to PF80845 ATU Steering System cable plus a simulated radar output from the iTC® or 3000 receiver. Once this expansion cable is added the customer will have a complete GreenStar® Cab solution at a very competitive price.

Description	Part Number	List Price
CAN Expansion cable for StarFire® receiver - includes Terminator	AE3073RX	180.00

🔗 Need a harness compatible with the GreenStar® Original Display? 🔗

Overview:

The AE3067 is the same harness as our AE3073 (above) but with a connector for the **Original (GS1)display**. (Does not have a connection for the Mobile Processor)

Description	Part Number	List Price
2WD Tractor Harness for Original Brown Display only	AE3067	450.00
4WD Tractor Harness for Original Brown Display only	AE3067L	510.00

Convert an older John Deere® planter monitor system to work on a GreenStar® 2630/2600/1800 Display

If you have a planter that uses a John Deere® ComputerTrak® CT450, CT350, CT250, CT300 or CT200 Monitor, you can retro fit these planters to your GS2 & GS3. Utilize your existing planter harness & seed sensors, with **no modification** to your planter. Once you have completed the simple installation of our kit, just attach the connector to your tractor's **ISO** Connector. Your display will be instantaneously transformed into a high end planter monitor with **Mapping Capabilities** (average planter populations can be mapped with the addition of a feedback sensor). **Variable rate capability** can be added even if the planter has never been equipped with these components.

- Automatic row scanning for seed population or seed spacing
- Population average/Spacing average
- Min/Max Population spacing
- Ground Speed
- Total area/Field area/Area per hour
- Planter row bar graphs
- Hi/Lo Population alarms
- User configurable screen layout



Kit Description	List Price
Up to 16 rows	1600.00
17-34 rows	2100.00
35-52 rows	2600.00

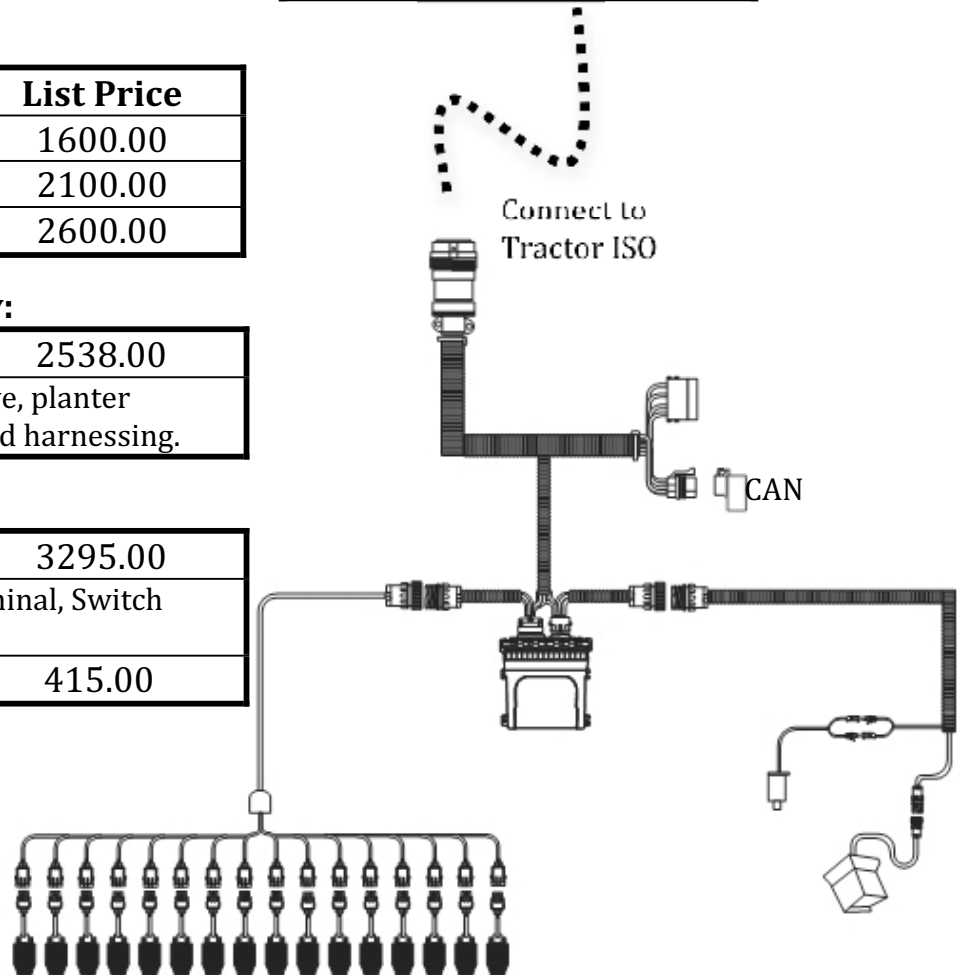
Add Variable Rate Capability:

Hydraulic valve/motor kit	2538.00
Includes: HD4180 motor/PWM valve, planter mounting hardware, rate sensor, and harnessing.	

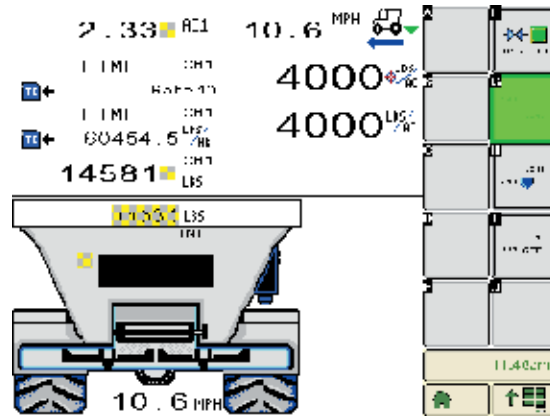
Add Auto Section Control:

Auto Section Control kit	3295.00
Includes: Auto Section Control Terminal, Switch Module and necessary cab cabling.	
4 Sect. Output Module Kit	415.00

System installation and setup videos are available at:
www.agexpress.com/videos.php



Spreader Control with the GreenStar® 2630, 2600 or 1800



Accurate precision control for Fertilizer, Lime or Litter

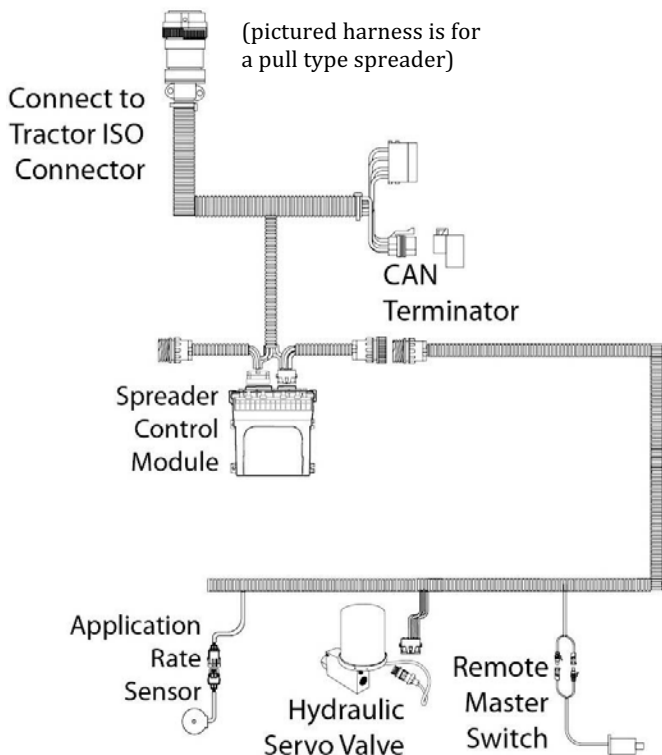
Overview:

Ag Express can utilize most existing hydraulic valves and chain sensors when retrofitting your current systems, or we can supply a complete system when starting with a new spreader. For **pull type spreaders** simply attach the controller to the Tractor ISO Connector - or for self propelled spreaders attach the system directly to a cab harness. **Dual box control also available.**

Features:

- Variable Rate Spreading (Rx)
- Mapping
- Store up to 16 Material Calibrations
- Program up to 10 Manual Rates
- Total Applied

- Displays Rate Control
- User selected Screen Configuration
- Ground Speed
- Spreader Conveyor RPM
- Optional - (hopper level & spinner control)



Kit Description	Base List Price
Kit for existing PWM Valve	1750.00
Kit for existing Servo Valve	2021.00
Includes: module, terminator, amplifier*, and all harnessing (price may change if additional components are needed)	

* required for a servo valve only

Strip Till Granular Application

Overview:

Would you like to utilize your GreenStar® 2630 or 2600 for strip tilling granular fertilizer? Ag Express® has a solution that not only controls the application rate but also monitors the flow in each run. We can interface with most existing hydraulic valves and rate sensors. If you do not have a hydraulic valve/motor or rate sensor, we can provide these as well.

This simple system hooks to the Tractor ISO – it communicates with a module that controls your Pounds per Acre, while simultaneously monitoring the flow of fertilizer to each row. You can control your rate either by prescription or by a preset rate from the display. The flow blockage sensors are designed to work with granular fertilizer, and they have a stainless steel insert to protect the electronic sensor. The sensor is typically mounted after the air release so that any blockage is detected quickly. This prevents the whole run from filling with fertilizer and preventing downtime cleaning out the run.

Features:

- Application rate readout
- 10 Preset rate choices
- Ground speed readout
- Acre counters

- User selected screen configuration
- Fertilizer flow monitoring
- Row failure alarm
- Dual Box Control available

Description	List Price
12 Row Strip Till System	3950.00*
16 Row Strip Till System	4350.00*
24 Row Strip Till System	5500.00*
The System Includes: Control module, flow sensors, application rate sensor, amplifier, terminator, and all required harnessing. <i>(Customer must have existing Hydraulic Valve)</i>	

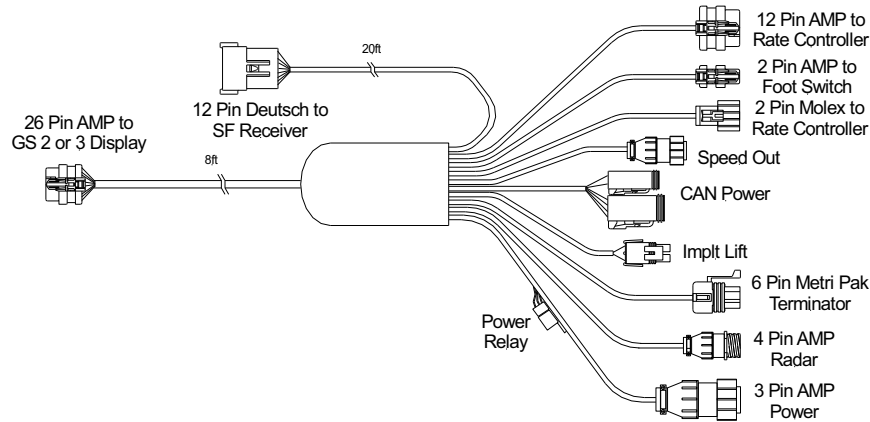
*** These prices are approximate. Call for more information.**



Rate Controller Cab Harness for Liquid/NH3 *or* Dry

Overview:

This is a **Complete Cab Harness** which enables you to connect (*either*) the John Deere® PF81113(Liquid/NH3) or the John Deere® PFP10819(Dry) Rate Controller Harness directly to your display eliminating any additional harnessing. The AE3099 harness is used in conjunction with a customer supplied GreenStar® 2 or 3 Display and Rate Controller. A terminator is *required* and can be purchased separately.



AE3099

- Use this harness to add your Rate Controller and Display to any vehicle that does not have a Display harness.
- The AE3099 can be used for Liquid/NH3 or Dry setups.
- Connection is available for easy ATU™ hookup.

Description	Part Number	List Price
Rate Controller Cab Harness - See note 1	AE3099	695.00
Terminator	AE2327	50.00

Note 1... This cable requires a terminator which is not included with the AE3099 cable.

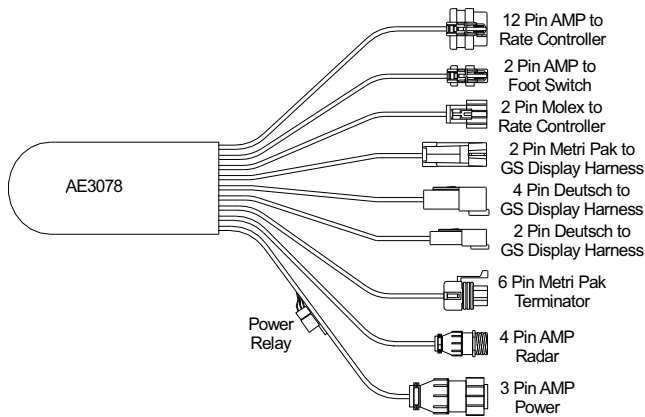


ISO Bypass Kit for Rate Controller

Overview:

The AE3078 is used in conjunction with a customer supplied GreenStar® 2/3 Display and Rate Controller. This enables you to install the rate controller harness (PF81113) directly to the customers existing Display Harness (PF80802 or RE158190).

By using the Ag Express® ISO Bypass Kit, you can eliminate the following 3 harnesses:
#1 The ISO Implement harness (RE174725) - #2 the ISO front extension harness (PF81130 or PF81131) and finally, #3 the Foot switch power cable (PF81073).



- ***This Custom harness allows you to hook the rate controller harness DIRECTLY to the Display Harness.***
- ***Eliminates 3 OEM Harnesses to save space & expense.***

The AE3078 is only 18 inches in Length, so the advantages are obvious (space, cost, connections & troubleshooting). The AE3078 cable is ideal when installing a unit in a self propelled sprayer or an application where the Rate Controller needs to be installed in a cab or close to the Display.

Description	Part Number	List Price
ISO Bypass Kit - See note	AE3078	450.00
Terminator (sold separately)	AE2327	50.00

Note: Using a StarFire® receiver requires a terminator which is not included with the AE3078 cable



Rate Controller Harness for Back Panel Installation



Overview:

Do you want to mount a Rate Controller on the back of the tractor or under the cab? This cable makes a clean, hidden installation possible. It hooks up on the back side of the 9 pin ISO IBBC connector allowing you to mount the Rate Controller under the cab or behind the cab back panel.

Description	Part Number	List Price
Rate Controller Back Panel Installation Harness	AE3065	395.00
<div style="display: flex; justify-content: space-between;"> <div style="width: 30%;"> <p>AE3065</p> </div> <div style="width: 65%;"> <ul style="list-style-type: none"> ➤ New, simpler Design. ➤ Rate controller installation harness. ➤ Connector Y's on the back side of the IBBC CAN Connector. ➤ Allows for a clean & hidden installation of the Rate Controller under the cab or behind the tractor cab back panel. </div> </div>		



ISO Splitter (Y) Cables

Overview:

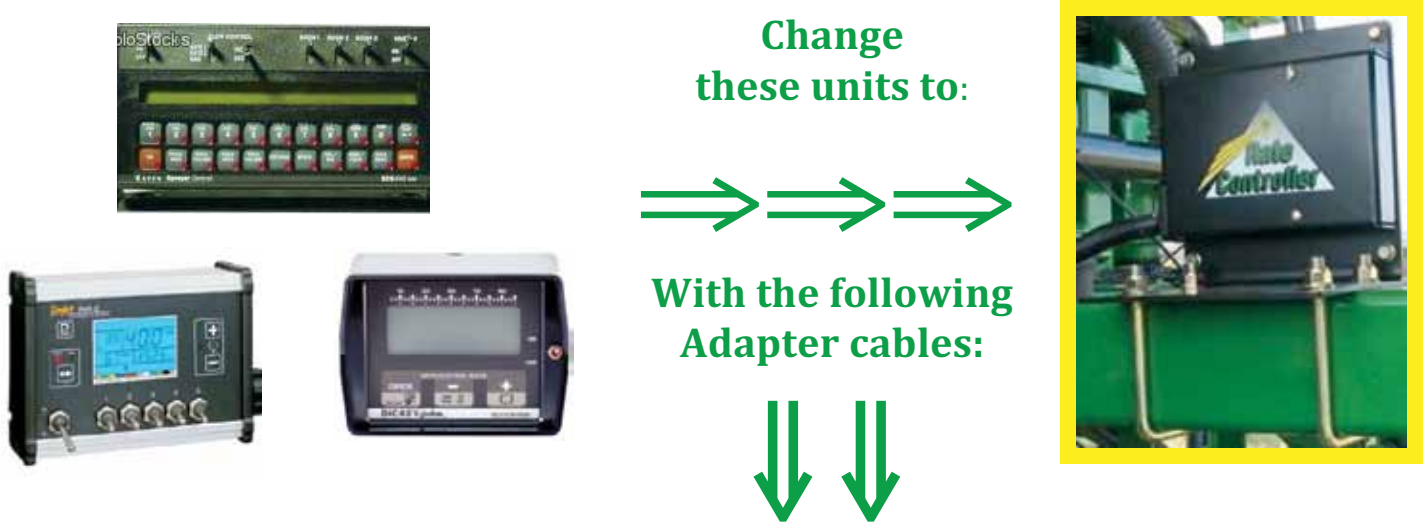
Do you need to run two or more ISO controllers into your ISO connector on the back of your tractor? Ag Express has the Splitter cables you need.

Description	Part Number	List Price
ISO Y Cable for Rate Controller	AE3096	345.00
ISO Y Cable	AE2738Y	500.00
ISO Double Y Cable	AE2738W	600.00
<div style="display: flex; justify-content: space-around;"> <div style="width: 30%;"> <p>AE3096</p> </div> <div style="width: 30%;"> <p>AE2738Y</p> </div> <div style="width: 30%;"> <p>AE2738W</p> </div> </div>		

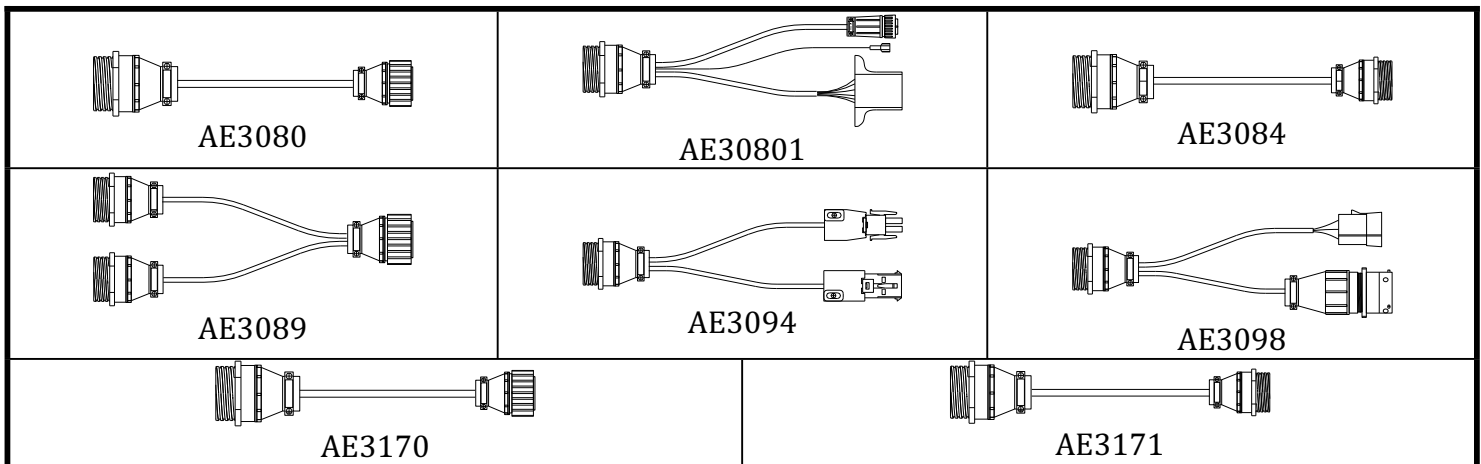
Rate Controller Adapters

Overview:

These adapter cables are used to convert various brands of Sprayers & NH3 systems to the John Deere® Rate Controller.



Description	Part Number	List Price
JDRC to DICKEY-john® CCS100 NH3 Implement Harness (14 Pin)	AE3080	140.00
JDRC to DICKEY-john® CCS100 Main or Truck Harness (16 Pin)	AE3084	140.00
JDRC to Raven™ 115-0159-405 Flow Cable Adapter	AE30801	140.00
JDRC to Raven™ New Style Flow Harness (16 Pin)	AE3170	140.00
JDRC to Raven™ 440/450 Console Harness (Reverse 16 Pin)	AE3171	140.00
Dual JDRC to Raven™ 700 Dual Product Flow Harness (22 Pin)	AE3089	185.00
JDRC to TeeJet® 844 Classic (5 boom) Adapter Cable	AE3094	185.00
JDRC to TeeJet® 844E Adapter Cable (3 pin & 28 pin)	AE3098	185.00



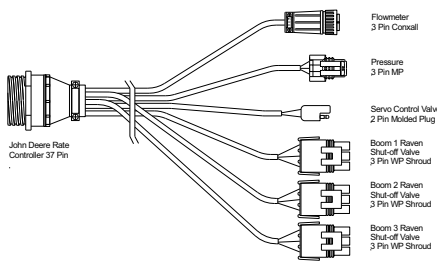
Please Note: If you need any kind of Adapter, Y Cable or Extension, give us a call, Ag Express® can Help You!

GreenStar® Rate Controller Harnesses



Overview:

These harnesses are designed to interface the John Deere® Rate Controller to Application Rate/Shutoff Control Components used on **NH3 Applicators or Sprayers**. These harnesses will have the correct connectors to fit the application without the use of adapter cables or other troublesome connector solutions. If you have a cabling issue that is not shown on this page, give Ag Express Electronics a call and we will discuss and design a cable that will fit and function properly for you!

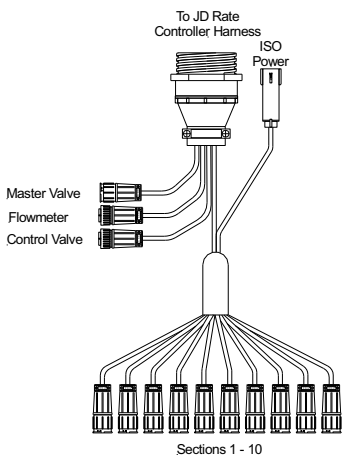


EXAMPLE: Raven™ 3 Section Liquid

GreenStar®/Raven™ Liquid

Number of Sections	Part Number	List Price
1 - Section Liquid	AE30881	125.00
2 - Section Liquid	AE30882	165.00
3 - Section Liquid	AE30883	205.00
4 - Section Liquid	AE30884	245.00
5 - Section Liquid	AE30885	285.00
6 - Section Liquid	AE30886	325.00
7 - Section Liquid	AE30887	365.00
8 - Section Liquid	AE30888	405.00
9 - Section Liquid	AE30889	445.00
10 - Section Liquid	AE30890	485.00

Please Note: These rate controller harnesses show Raven™ as an example. In addition, we can provide harnesses for DICKEY-john® and Hiniker™ for your GreenStar® systems. Give us a call for additional information or questions.



EXAMPLE: Raven™ 10 Section NH3

GreenStar®/Raven™ NH3

Number of Sections	Part Number	List Price
1 - Section NH3	AE3082	225.00
2 - Section NH3	AE30821	265.00
3 - Section NH3	AE30822	305.00
4 - Section NH3	AE30823	365.00
5 - Section NH3	AE30824	405.00
6 - Section NH3	AE30825	445.00
7 - Section NH3	AE30826	485.00
8 - Section NH3	AE30827	525.00
9 - Section NH3	AE30828	565.00
10 - Section NH3	AE30829	600.00

Please Note: These rate controller harnesses show Raven™ as an example. In addition we can provide harnesses for DICKEY-john® and Hiniker™ for your GreenStar® systems. Give us a call for additional information or questions.

Installation Kits for Hagie STS Row Crop Sprayers



Overview:

When the simple and quick (*plug & play*) installation is complete, the Display will be able to provide Rate Control, Section Control and Mapping for applications with the Hagie sprayer. (*Note)

Hagie Kit for customers WITH Existing Display Harness:

This kit includes 3 wiring harnesses – An **ISO Bypass Cable**, a **Cab Control Interface Cable**, and a **Power Y Cable**.

- The **ISO Bypass Cable** was designed to interface the GreenStar® Universal Cab Harness to the GreenStar® Rate Controller Harness.
- The **Cab Control** harness interfaces the Rate Controller to the Sprayer's Flow Meter, Rate Control Valve and Boom Section valves.
- The **Power Y Cable** is designed to provide all power required to both the Cab harness and the Rate Controller via the power connection in the Hagie's Arm Rest.

Description	Part Number	List Price
Kit for Hagie Model STS . (Year 2007 – 2009)	AE3068K	795.00
Kit for Hagie Model STS . (Year 2010 +)	AE3069K	795.00

Hagie Kit for customers WITHOUT Existing Display Harness:

This kit also includes the **Cab Control Interface Cable**, and the **Power Y Cable**, but if there is not an existing Display Harness, the **Rate Controller Full Cab Harness (page 9, AE3099)** integrates the Display Harness and ISO Harnessing into one cable.

- Cab Harness connects directly between the Display and the Rate Controller harness for easy setup.
- The Rate Controller Full Cab Harness eliminates the “nest” of excess cabling typical to conventional wiring of the system.
- Requires a CAN Terminator for correct operation.

Description	Part Number	List Price
Kit for Hagie Model STS (Year 2007 – 2009) w/ Display Harness	AE3180K	1040.00
Kit for Hagie Model STS (Year 2010 +) w/ Display Harness	AE3181K	1040.00
CAN Terminator	AE2327	50.00

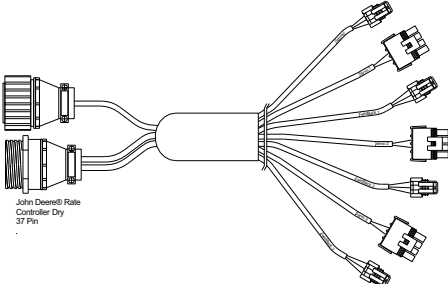
**Note: Kit pricing does not include John Deere® Display or Rate Controller—These items should be purchased separately from an Authorized Dealer.*

Custom Harnesses for the GreenStar® Rate Controller Dry



Overview:

Ag Express would welcome the chance to work with you on your specific applications for the GreenStar® **Rate Controller Dry**. We possess a broad base of knowledge in working and interfacing with Control System companies such as DICKEY-john®, New Leader®, Raven™ and TeeJet®. In addition, we have experience building Rate Controller Dry harnessing for spreaders manufactured by BBI™ – Chandler™ – New Leader® – Newton Crouch® and many others. We can help you adapt and interface your GreenStar® to various Servo Valves, PWM Valves and Rate Sensors. Harnessing options can include - Multiple product bins, Bin level sensors, Fan sensors and Spinner Control. Give Ag Express a call and we will discuss and design a harness that will fit your customer's application.

 <p data-bbox="121 1339 191 1369">John Deere® Rate Controller Dry 37 Pin</p>	Number of Product Bins	List Price
	1 - Bin Dry w/ spinner control	185.00
	2 - Bin Dry w/ spinner control	230.00
	3 - Bin Dry w/ spinner control	275.00
	4 - Bin Dry w/ spinner control	320.00

Helpful Information When Ordering:

- Make and model of spreader
- Make & model of existing controller (if applicable)
- Part numbers of any existing harnessing
- Brand & type of hydraulic valve(s)

- Brand & type of conveyor feedback sensor
- Any bin level, fan rpm sensors etc.
- Pictures of connectors (if available)
- Cable lengths required to reach components
- Number of product bins

Note: All Ag Express locations can design and build the harnessing for your specific application. **Custom adapter cables** to existing granular control systems can also be built.

Rate Controller Clutch Harnesses for Swath Control

Overview:

These harnesses are designed to interface the John Deere® Rate Controller with your customer's third-party planter clutches for automatic swath control. Built with the same quality and long-lasting design that you expect from Ag Express planter harnesses and adapters, **these cables can be designed to retrofit any planter with air or electric clutches.** If you do not see the harness that you need here, give us a call and Ag Express will find a solution!

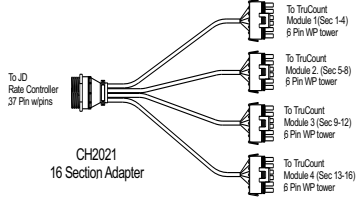
Planter Manufacturer	# of Rows	List Price
John Deere® 7000 Series	6	190.00
	8	220.00
John Deere® 1700 Series	12	480.00
	24	1150.00
John Deere® DB Planters	32	1500.00
Kinze® Twin-Line®	6	190.00
	w/Interplant	395.00
Kinze® Front Fold	8	220.00
	w/Interplant	480.00
Kinze® Econo-Fold®	12	480.00
	24	1150.00
White Planters™ Forward Fold	12	480.00
	16	600.00
	23	1050.00
White Planters™ Wing Fold	24	1150.00
	31	1450.00

Note: When ordering, please specify Type and Manufacturer of Row Clutches, Number of Sections, Make and Model of Planter, Fold Type, and where Rate Controller will be mounted.

Adapters for “Existing” Clutch Harnesses

Does your customer already have Control Harnesses installed? Make an existing system compatible with the John Deere® Rate Controller by utilizing one of these adapters, or if you don't see what you need, give Ag Express a call and we will design a custom solution for you. (please see note above ↑ before ordering).

Description	Part Number	List Price
JDRC to Tru Count™ Air Module 8 Section	CH2020	135.00
JDRC to Tru Count™ Air Module 16 Section	CH2021	165.00
JDRC to Ag Leader® Clutch Harness 12 Rows	CH2001	250.00
JDRC to Ag Leader® Clutch Harness 16 Rows	CH2002	295.00
JDRC to Ag Leader® Clutch Harness 24 Rows	CH2003	350.00
Kit to Control Older Electric Clutches	Call	Call



Clutch Status Mode Light Kit (indicates if clutches are activated)



Description	Part Number	List Price
Clutch On/Off Indicator Light Kit	AE6619	95.00

- Highly visible LED light indicates status of implement section
- Installs easily into existing clutch harness
- Magnetic mount and universal design for easy installation

Shutoff Valves for GreenStar® Rate Controller Spray Applications



Overview:

Get individual section control via On/Off manifold valves. These valves can be used for brand new setups or as a reliable replacement for Solenoid type shutoffs. In addition - with response times of 1 second, they are ideal for the Swath Control Pro™ feature!

Features:

- End fed Manifolds for easy plumbing
- Hairpin design for ease of output change
- Choose hose barb size to fit your needs
- Valves use std. 3 pin weather pack connector
- Valves require 12Vdc & ground
- Only draws current when closing or opening

Description	Part Number	List Price
(Example) 3 Stack Valve Assembly with ¾" & 90° Hose Barbs	AE3931-C3EL	675.00
For <u>each</u> additional stack valve, please add part number ⇒ ⇒ ⇒ ⇒ ⇒	AE3931-C1	265.00
For Stack Valve assemblies over 5 sections, add 1 middle support bracket	AE3900	6.75

Additional information

Available hose barb sizes are ½" - ¾" - 1". Specify what size you need for your application.

In addition, hose barbs are available in either 90° or straight versions. Specify your preference.

Regulating & Shutoff Valves for GreenStar® Rate Controller NH3

Overview:

These Valves can be used for new setups or as replacements. They come complete with the Power Head Assembly and Stainless Steel Ball Valve. Available in a variety of sizes, the regulating valves range from ¾" to 1½" and shutoff valves come in sizes from ¼" to 1½". This allows for proper sizing of the Valve to match the NH3 application.



Features:

- All Stainless Steel valve construction & Hardware
- Quick **1.5** Second On/Off for Shutoff Valves
- Available in a wide variety of sizes for NH3
- NH3 Ball is vented for safety

Shutoff Valves	Part Number	List Price
¼" On/Off Valve (For shutoff of Vapor Lines or Individual Knives)	AE3933M-B67	450.00
1" On/Off Valve (For shutoff of Manifolds for Section Control)	AE3923Y-F67	562.00
1 ¼" On/Off Valve (For Total Applicator Shutoff)	AE3923Y-G67	611.00
1 ½" On/Off Valve (For Total Applicator Shutoff)	AE3923Y-H67	660.00
Fast Response Regulating Valves		
¾" Ball Valve with Power Head	AE3924Y-E67	569.00
1" Ball Valve with Power Head	AE3924Y-F67	580.00
1 ¼" Ball Valve with Power Head	AE3924Y-G67	629.00
1 ½" Ball Valve with Power Head	AE3924Y-H67	678.00
Standard Response Regulating Valves		
¾" Ball Valve with Power Head	AE3924U-E67	587.00
1" Ball Valve with Power Head	AE3924U-F67	597.00
1 ¼" Ball Valve with Power Head	AE3924U-G67	646.00
1 ½" Ball Valve with Power Head	AE3924U-H67	695.00

Convert Hiniker™ Anhydrous Controllers to the GreenStar® Rate Controller

Overview:

For your customers who want to convert their Hiniker anhydrous systems to a John Deere® GreenStar® Rate Controller - Ag Express has a solution for you. Hiniker Models 8100, 8150, 8610 & 8605 can all be converted, and you will be able to utilize most of the Hiniker components. In the majority of cases only the servo valve and harness will need to be replaced. This not only saves time, but is a major cost savings for the customer.

Ordering Instructions:

1. If you choose a **Fast Response Valve** from the table below in **Section 1**, it can serve as your **Regulating** valve as well as your **Shutoff** valve. In addition, you will also need an AE3178 cable (pictured below) to complete this setup.
2. If you choose a **Standard Response Valve** from the table below in **Section 2**, you will also be required to select a shutoff valve from **Section 3** plus an AE3179 cable (pictured below) to complete this setup.

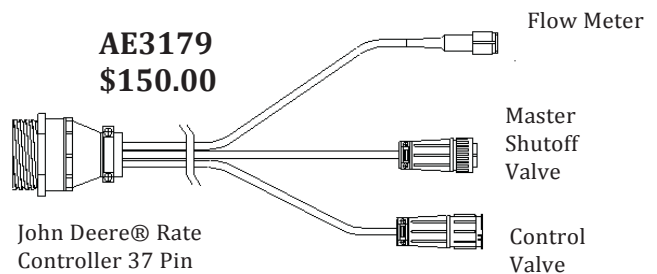
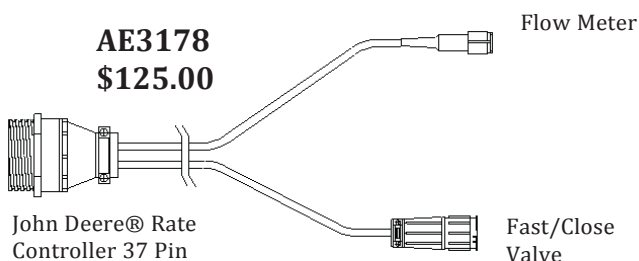
Special Ordering Instructions for Hiniker™ Starflow™:

3. If your customer has a Hiniker **Starflow™** model valve and flow meter, **both** of these will need to be replaced. Simply choose the appropriate valve from **Section 1** or **Section 2** and in addition, you will also need a flow meter*. For **Starflow™** conversions you will also need the appropriate adapter cable for the valve setup and flow meter chosen.

⇒ ⇒ **Need help ordering or have questions, give us a call!** ⇐ ⇐

*Note: If you need a source, Ag Express can supply Hiniker or Raven flow meters.

Section 1: Fast Response Regulating Valves	Part Number	List Price
¾" Ball Valve with Power Head	AE3924Y-E67	569.00
1" Ball Valve with Power Head	AE3924Y-F67	580.00
1 ¼" Ball Valve with Power Head	AE3924Y-G67	629.00
1 ½" Ball Valve with Power Head	AE3924Y-H67	678.00
Section 2: Standard Response Regulating Valves		
¾" Ball Valve with Power Head	AE3924U-E67	587.00
1" Ball Valve with Power Head	AE3924U-F67	597.00
1 ¼" Ball Valve with Power Head	AE3924U-G67	646.00
1 ½" Ball Valve with Power Head	AE3924U-H67	695.00
Section 3: Shutoff Valves		
¼" On/Off Valve (For shutoff of Vapor Lines or Individual Knives)	AE3933M-B67	450.00
1" On/Off Valve (For shutoff of Manifolds for Section Control)	AE3923Y-F67	562.00
1 ¼" On/Off Valve (For Total Applicator Shutoff)	AE3923Y-G67	611.00
1 ½" On/Off Valve (For Total Applicator Shutoff)	AE3923Y-H67	660.00



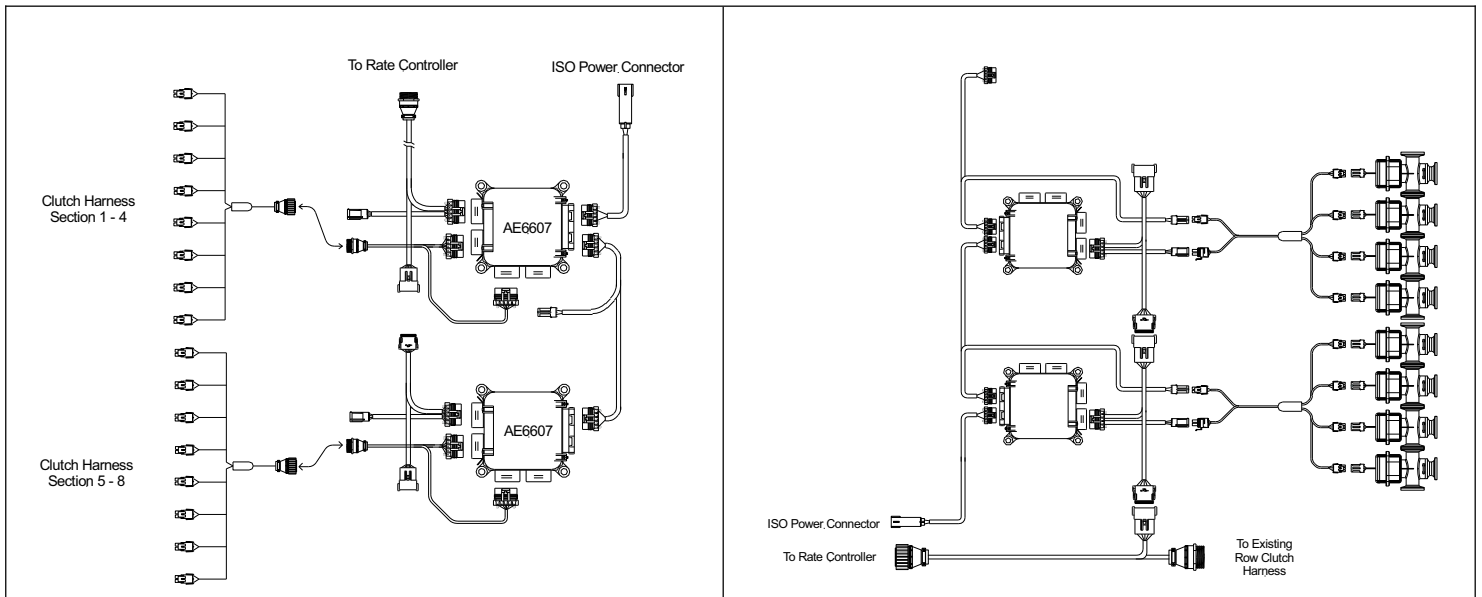
Relay Control Module for the Rate Controller

Overview:

Would your customer like to activate/deactivate their herbicide or fertilizer valves along with the row clutches on a planter; or operate high current clutches or solenoids? Ag Express has a solution that allows this to be done with a simple add on module and cabling. Also, a planter that has had row clutches and liquid fertilizer added to it can be operated with a single rate controller. This provides simultaneous section control of both systems as well as fertilizer rate control. This module can also be used as a buffer between the rate controller and high current clutches or solenoids. It will help prevent damage to the rate controller or having low voltage sent to your shutoffs causing intermittent operation.



- Allows dual product shut-off /activation (ex. Signal from row clutch also activates liquid on/off).
- Isolate High Current Clutches or Solenoids from the Rate Controller for protection.
- Versatile design makes it easy to add-on to existing system with Ag Express cabling.
- Environmentally sealed for protection from the elements.
- Each control module contains four individually, fused relays.



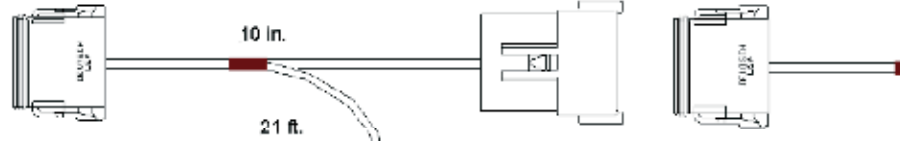
Description	Part Number	List Price
Relay Control Module	AE6607	250.00*

*Price does not include cabling; Call for system pricing

Receiver Output Cable for NMEA & Speed Signal

Overview:

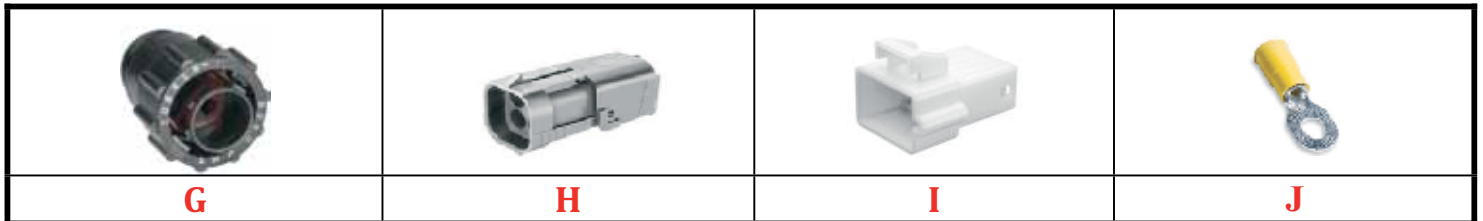
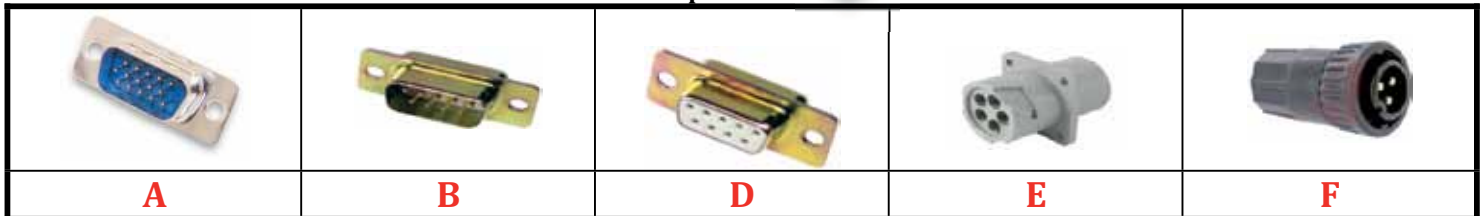
Plug this cable in between your StarFire® Receiver & your StarFire® Receiver harness to provide NMEA/Speed to various Precision units.



Description	Output	CON	Works with	Part #	List \$
GPS RS232 Output/CNH Pro 600 & Pro 700	N	D	GenII, iTC® & 3000	AE3070	115.00
GPS to Ag Leader® Insight™2000/3000,Edge™ Integra™	N	B	GenII, iTC® & 3000	AE3070B	115.00
GPS to Ag Leader® PF Advantage™/PF 3000 Pro™	N	A	GenII, iTC® & 3000	AE3070C	115.00
GPS RS232 & AMP Speed out	N & S	D&G	iTC® & 3000	AE3070D	145.00
GPS RS232 for Flexi-Coil® TASC Controller	N	E	GenII, iTC® & 3000	AE3070E	115.00
GPS RS232 & 2 AMP speed output	N & (2)S	D&GG	iTC® & 3000	AE3070F	170.00
GPS RS232 & Raven™ Speed output	N & S	D&F	iTC® & 3000	AE3070G	145.00
GPS AMP Speed output only	S	G	iTC® & 3000	AE3070H	115.00
GPS Raven™ Speed output only	S	F	iTC® & 3000	AE3070J	115.00
GPS to Ag Leader® Insight™ 2000/3000 w/AMP speed	N & S	B&G	iTC® & 3000	AE3070K	145.00
GPS with 4 pin Weather Pak Speed out only	S	H	iTC® & 3000	AE3070M	115.00
GPS to CNH® 7010/8010 Combine	N	I	GenII, iTC® & 3000	AE3070N	115.00

CON = Connector

N = NMEA
S = Speed



Use your StarFire® as a standalone receiver to output NMEA Signal to any Std Serial Port - or an Ag Leader® 15 Pin Serial Port

Description	Output	CON	Works with	Part #	List \$
GPS to Serial Port	N	D&JJ	GenII, iTC® & 3000	AE3070P	145.00
GPS to Ag Leader® 15 pin serial	N	A&JJ	GenII, iTC® & 3000	AE3070A	145.00

CON = Connector

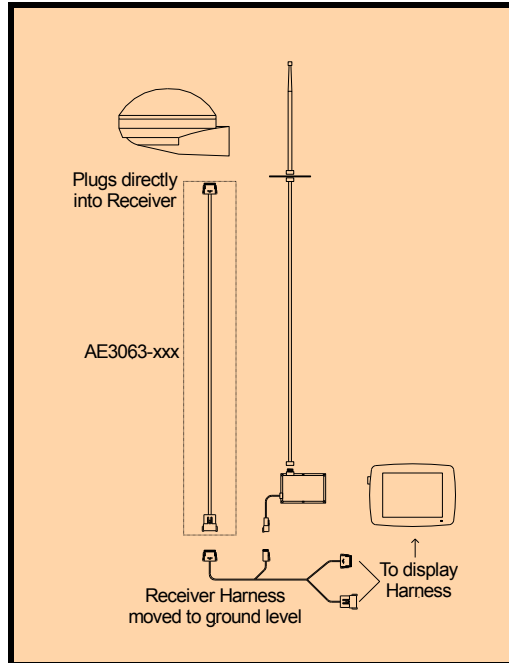
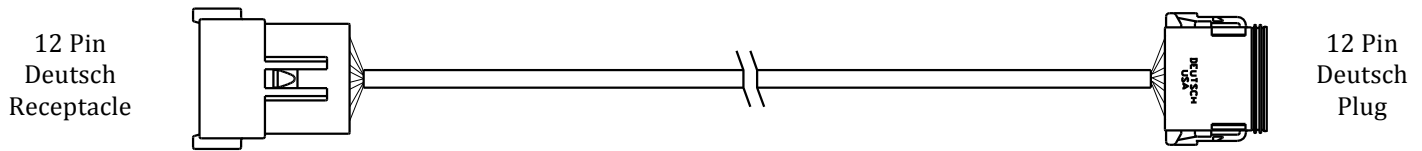
N = NMEA
S = Speed

StarFire® RTK Tower Extension Cable

Overview:

Do you need an extension cable to complete an RTK tower site, but don't want to tie down a lot of excessive cable or piece several extensions together? Ag Express can fabricate RTK Receiver extensions to any custom length your project requires.

- Connects between StarFire® Receiver and harnessing at ground level.
- Heavy duty cable designed for use in rugged environments like ice, wind, and snow.
- Stock lengths available, or specify custom length up to 200'.



Description	Part Number	List Price
RTK StarFire® Receiver Extension 10'	AE3063-10	105.00
RTK StarFire® Receiver Extension 50'	AE3063-50	205.00
RTK StarFire® Receiver Extension 100'	AE3063-100	330.00
RTK StarFire® Receiver Extension 200'	AE3063-200	580.00
Custom Lengths - Add \$2.50 per foot above 10' - Use part number AE3063 -xxx where xxx equals length in feet up to 200' long. Minimum price is \$105.00 for all cables under 10'.		

Ag Express can supply additional extensions that you may require for RTK towers. Call your nearest location to discuss these cables.

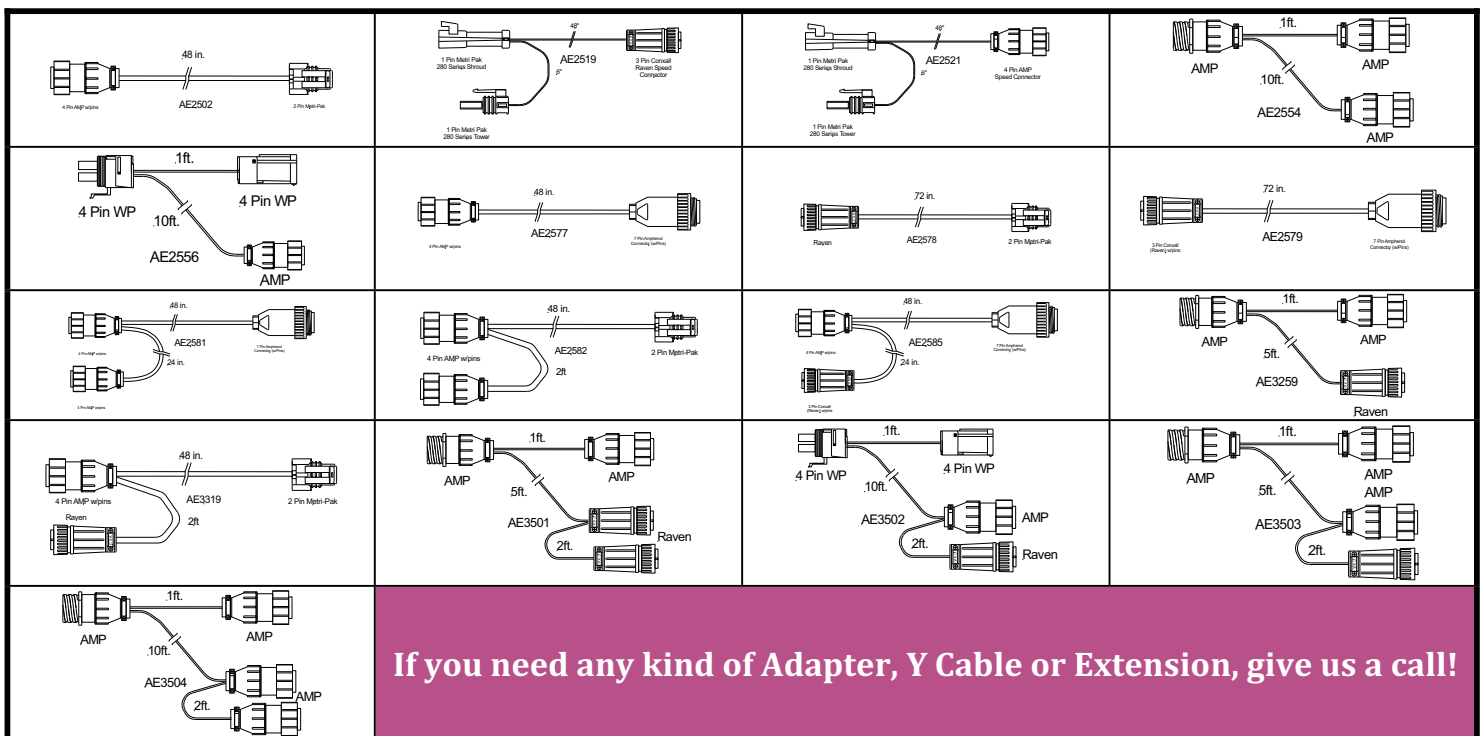
John Deere® Tractor Radar Adapters

Overview:

These adapter cables are used to output a ground speed signal to a Planter Monitor, a Spray Control, or *anything* needing a ground speed signal.

Description	Part Number	List Price
55/60 Series tractor to AMP Y adapter *	AE2556	70.00
55/60 Series tractor to AMP & Raven™ Y adapter *	AE3502	90.00
7/8000 Series tractor to AMP adapter	AE2502	30.00
7/8000 Series tractor to Raven™ adapter	AE2578	30.00
7/8000 Series tractor to (2) AMP Y adapter	AE2582	60.00
7/8000 Series tractor to AMP & Raven™ Y adapter	AE3319	60.00
AMP Y cable	AE2554	70.00
AMP Double Y cable	AE3504	90.00
AMP to Raven™ Y adapter cable	AE3259	70.00
AMP to (2) Raven™ Y cable	AE3501	90.00
AMP to AMP & Raven™ Y cable	AE3503	90.00
iTC®/3000 ground speed out to a Raven™ Connector	AE2519	40.00
iTC®/3000 ground speed out to an AMP Connector	AE2521	40.00
30 Series to AMP Connector unit	AE2577	42.50
30 Series to Raven™ Connector	AE2579	42.50
30 Series Y Cable going to (2) AMP Connector units	AE2581	70.00
30 Series Y Cable to Raven™ Connector & AMP Connector unit	AE2585	70.00

***Note: This Y cable can NOT be used with CNH® Instrumentation.**



Power Remote for the Original GreenStar® & GreenStar® 2600



Overview:

The Power Remote acts as a power switch allowing the customer to turn the Display **On** or **Off** without the need to plug or unplug the main cable that is located on the back of the display. Turning the display off can prevent problems like:

- On engine **startup** the Power Remote will prevent intermittent boot-up issues, such as:
 - AutoTrac® will not engage
 - No differential correction
 - Moisture sensor error
- At night or dusk, utilize the Power Remote during transportation if Display glare is an issue, or to eliminate implement alarms between fields.

It is designed for easy “in line” installation between the Cab Harness and Display.

Description	Part Number	List Price
Power Remote for GreenStar® 2600 w/ 19 pin Amphenol Connectors	AE6685	210.00
Power Remote for Original GreenStar® w/ 10 pin Metri-Pak Connectors	AE6686	210.00

🌀 Inexpensive Receiver Kits for Yield Mapping 🌀

Overview:

If you have a Yield Monitor in your combine, but no Receiver – you can add a low priced Receiver Kit to add mapping capabilities to almost any Brand or Model of Combine Yield Monitor.



- 16 Channel Receiver provides the same GPS information as receivers costing thousands of dollars
- Each Receiver is programmed to the specific yield monitor and combine
- Kit includes: 16 Channel Receiver
Mounting Plate
Any required wiring and adapters

Description	Part Number	List Price
50 Series Combine (Original GreenStar® Display)	AE5640-K3	425.00
10 Series Combine (Silver or Gold Processor)	AE5640-K4	400.00
70 Series Combine (GreenStar® 2600 / 2630)	AE5640-K14	450.00*

*Price includes Field Doc™ harness

General Information:

No Affiliation → Ag Express® Electronics is NOT affiliated with the owners of the listed trademarks.

Company Trademarks ®™

John Deere® is a registered trademark of Deere & Company.

GreenStar®, StarFire®, SprayStar®, AutoTrac®, Gator®, SpreadStar®, ComputerTrak®, JD®, iTC®, ATU™, Field Doc™, CommandCenter™, Swath Control Pro™ are all registered trademarks of Deere & Company.

Ag Leader® is a registered trademark of Ag Leader® Technology. Insight™, Edge™, Integra™, PF Advantage™, PF3000Pro™ are all registered trademarks of Ag Leader® Technology.

Dickey-john® is a registered trademark of DICKEY-john® Corporation.

CNH® is a registered trademark of CNH Global N.V. ® Flexi-Coil® is a registered trademark of CNH Global N.V. ®

Trimble® is a registered trademark of Trimble® Navigation. Tru Count™ is a registered trademark of Trimble® Navigation.

Garmin® is a registered trademark of Garmin® LTD.

Newton Crouch® is a registered trademark of Newton Crouch.

TeeJet® is a registered trademark of Spraying Systems®

New Leader® is a registered trademark of Highway Equipment Company®

Raven™ is a registered trademark of Raven™ Industries. AccuFlow™ is a registered trademark of Raven™ Industries.

Hiniker™ and Starflow™ are registered trademarks of Hiniker™ Company.

Continental™ is a registered trademark of Continental™ NH3 Products.

CabCam™, AgCam® and Voyager™ are registered trademarks of their respective companies.

BBI™ is a registered trademark of Barron & Brothers International.

Chandler™ is a registered trademark of Chandler Equipment Company.

KINZE®, Twin-Line® and Econo-Fold® are registered trademarks of KINZE® Manufacturing.

White Planters™ is a registered trademark of AGGO® Corporation.

\$\$Prices\$\$

Prices are subject to change without notice. List Prices in this brochure are prices that Ag Express® will normally charge to an end-user. Qualified Implement Dealers receive discounts from the List Prices shown. Call your nearest Ag Express for more information.

Errors & Inaccuracies

Our goal is to provide complete, accurate, up-to-date information. Unfortunately, it is not possible to ensure that any information is completely free of human or technological errors. This information may contain typographical mistakes, inaccuracies, or omissions, and some information may not be complete or current. We reserve the right to correct any errors, inaccuracies or omissions - and to change or update information at any time without prior notice. We sincerely apologize for any inconvenience this may cause. Please inform us of any errors or inaccuracies and we will correct them as expeditiously as possible.

Contact information for Ag Express® Electronics

**6280 NE 14TH Street • Des Moines, IA 50313
(515) 289-2746 • email dsm@agexpress.com**

**106 West Main • Sulphur Springs, IN 47388
(765) 533-4809 • email ss@agexpress.com**

**308 Claude Road • Grand Island, NE 68803
(308) 381-2905 • email gi@agexpress.com**

www.agexpress.com